



FARIBAULT COUNTY
**APPLICATION FOR DRIVEWAY ON
 COUNTY HIGHWAY RIGHT OF WAY**

Permit No.	
<small>This Section for County Office use only</small>	

Phone: 507-526-4288

Email: mark.daly@co.faribault.mn.us

Board of Commissioners Faribault County, MN Attn: Mark Daly, County Engineer	Highway No.: <input style="width: 50px;" type="text"/> City/Township: <input style="width: 150px;" type="text"/>
------------------------------------------------------------------------------------	------------------------------------------------------------------------------------------------------------------

APPLICANT	TELEPHONE	ADDRESS (Street, City, State, Zip)
	EMAIL	
PARTY PERFORMING WORK	TELEPHONE	ADDRESS (Street, City, State, Zip)

I NATURE OF DRIVEWAY WORK (New, Existing, Tree Removal, etc.)

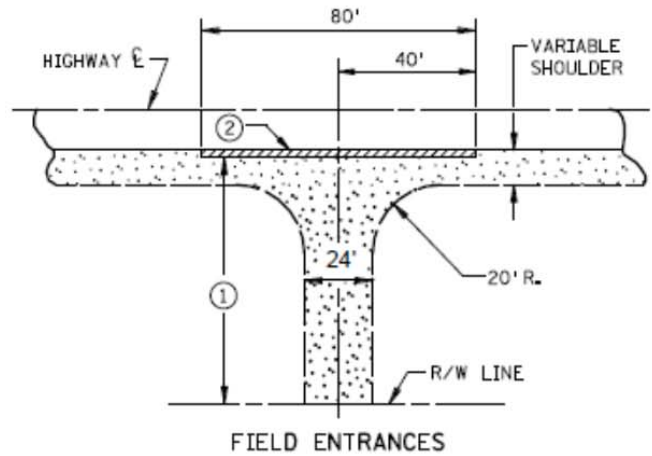
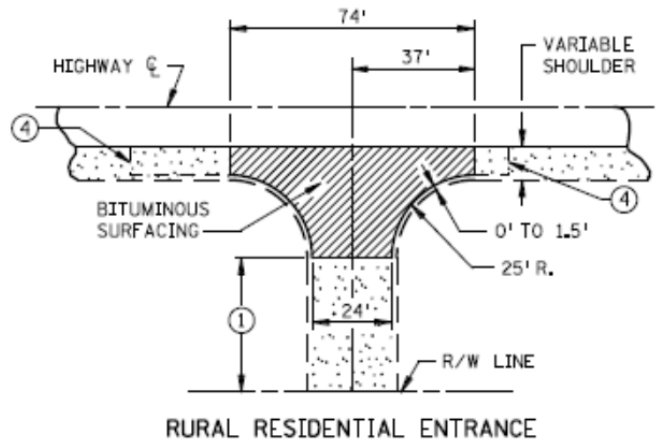
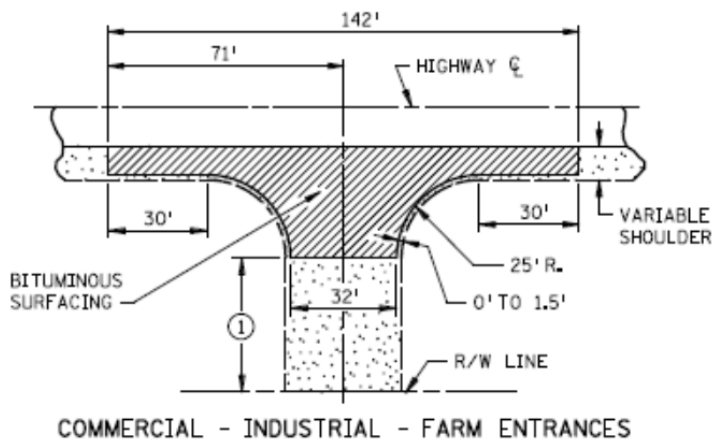
II NUMBER OF PRESENT DRIVEWAYS TO PROPERTY

III. Location Sketch
 Show location of proposed driveway in relation to the centerline of the county highway and other pertinent features such as closest intersection, landmarks, curb line and edge of surfacing. **Both ends of the driveway should also be staked with 4' lathe by the applicant.**

 Signature of Applicant

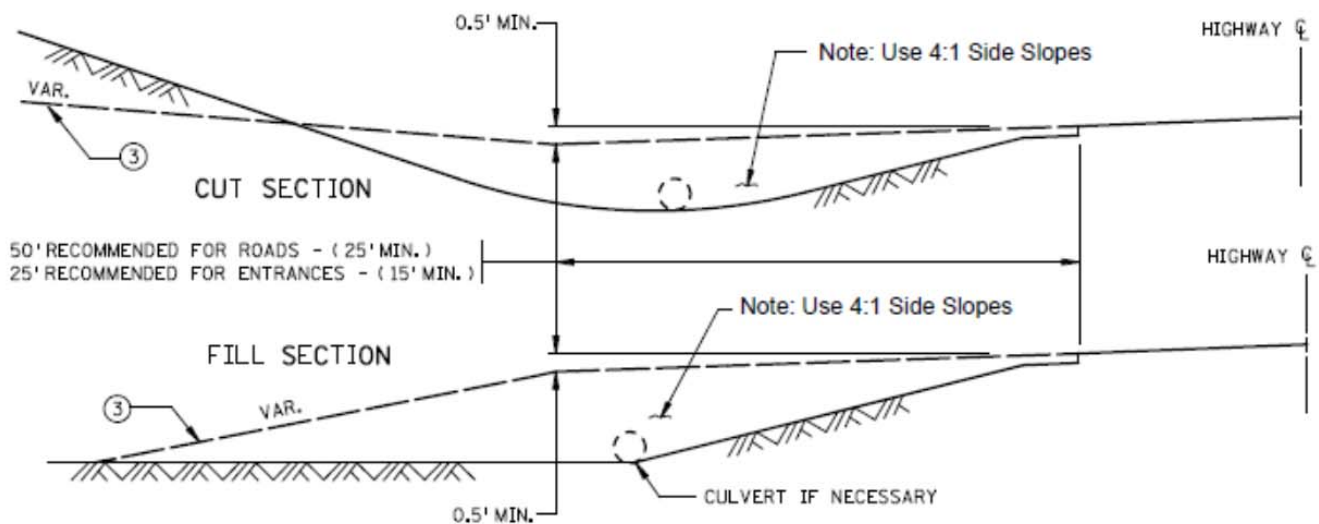
 Date:

<small>This Section for County Office use only</small>	
Final Inspection Approved by:	Date:



Contact Gopher One 48 hours before beginning any dirt moving.
1-800-252-1166
****Maximum 50' Flat Top
4:1 Side Slope
NO PLASTIC PIPE ALLOWED

- ① SURFACING TO MATCH EXISTING CONDITIONS. WHERE THERE IS NO SURFACING, PLACE GRAVEL BEYOND BITUMINOUS SURFACING TO R/W LINE.
- ② PLACE 2 FT. WIDE BITUMINOUS SURFACING AS DIRECTED BY ENGINEER.
- ③ 8% MAXIMUM COMMERCIAL; 15% MAXIMUM RESIDENTIAL.
- ④ THE USE OF PAVING SIMILAR TO COMMERCIAL ENTRANCES MAY BE APPROPRIATE FOR SOME RESIDENCES - AS SHOWN IN PLANS OR DIRECTED BY THE ENGINEER.



Rules and Regulations of the Board of County Commissioners for Driveway Work on County Highways

- I. Except as otherwise permitted, construction or modification of driveway on county highway right of way shall not be commenced until an application for a Permit has been made and such Permit GRANTED. The Permit sketch shall show the location of the proposed work with reference to the county highway centerline. A copy of the sketch shall be provided for each copy of such Permit.
- II. **Beginning on July 1, 2017 the following Driveway Permit fees must be submitted with each permit:**
 Standard Driveway \$100.00 w/ \$100.00 returned upon satisfactory final inspection
 Commercial Driveway \$200.00 w/ \$200.00 returned upon satisfactory final inspection
- III. If it is determined that a culvert is necessary, the cost of the culvert shall be the responsibility of the applicant or property owner.
- IV. Applicant shall furnish fill dirt and construct driveway in accordance with standards used by Faribault County Public Works (see sheet 2 of this permit).
- V. Burning or disking operations and/or the use of chemicals to control or kill trees, brush and other vegetation is prohibited without prior approval from the County Engineer.
- VI. All waterways and lines of drainage shall remain operative.
- VII. Wherever topsoil and sod are disturbed, they shall be replaced and maintained satisfactorily until the turf is re-established.
- VIII. The driveway work shall not interfere with any existing utility facilities on the county highway right of way.
- IX. When necessary, barricades, warning devices and flag personnel shall be provided by the Applicant during all phases of their construction and maintenance operations on the county highway right of way.
- X. The Applicant shall assume all liability for, and save the County, its agents and employees, harmless from, any and all claims for damages, actions, or causes of action arising out of the work to be done herein and the continuing uses by the Applicant, including but not limited to the placing, constructing, reconstructing, maintaining and using of said utility under this application and Permit.
- XI. The Permit as issued does not in any way imply an easement on private property.
- XII. The installations shall be made in conformity with all applicable laws; regulations and codes covering said installations. All installations shall be made in conformity with regulations of governmental agencies for the protection of the public. This permit does not exclude the permittee from any other offices (i.e., SWCD, Wetland issues, Gopher State One Call, Drainage, etc.)
- XIII. Any time county drainage systems may be impacted by the proposed activity it is the permittees responsibility to check with the Drainage Department to ensure that the activity will not compromise any drainage system. Failure to do so will result in the permittee being financially responsible for any repairs.
- XIV. **Upon completion of the driveway the Applicant shall restore the county highway right of way to its original condition. The Applicant shall then notify the office of the County Engineer of the completion of the work so that inspection can be made to determine it acceptability.**
- XV. **This permit will expire one (1) year from the date of Authorization of the Permit. If the driveway is not completed by that time, the deposit (as shown above) will be forfeited and the permit will be terminated.**

Special Provisions: (This Section for County Office use only)	
<input type="checkbox"/> Culvert Not Required	<input type="checkbox"/> Aprons Required
<input type="checkbox"/> Culvert is Required Size: _____	
AUTHORIZATION OF PERMIT	
In consideration of the applicant's agreement to comply in all respects with the regulations of the Board of County Commissioners covering such operations, permission is hereby granted for the work to be done as described in the above application. Said work to be done in accordance with the general and the special conditions listed above.	
Approved by _____	Date: _____